

SPT-P55V3-40D

3Gbps Video SFP Optical Transceiver, 40km Reach

Features

- HD-SDI SFP Transceiver available
- SD-SDI SFP Transceiver available
- 3G-SDI SFP Transceiver available
- SMPTE 297-2006 Compatible.
- Metal enclosure for Lower EMI
- 1550nm DFB laser and PIN photo detector
- Supports video pathological patterns for SD-SDI, HD-SDI and 3G-SDI
- Compliant with SFP MSA and SFF-8472 with duplex LC receptacle
- Digital Diagnostic functions available through the I2C interface
- Compatible with RoHS
- +3.3V single power supply
- Operating case temperature: Standard: 0 to +70°C Industrial: -40 to +85°C

Applications

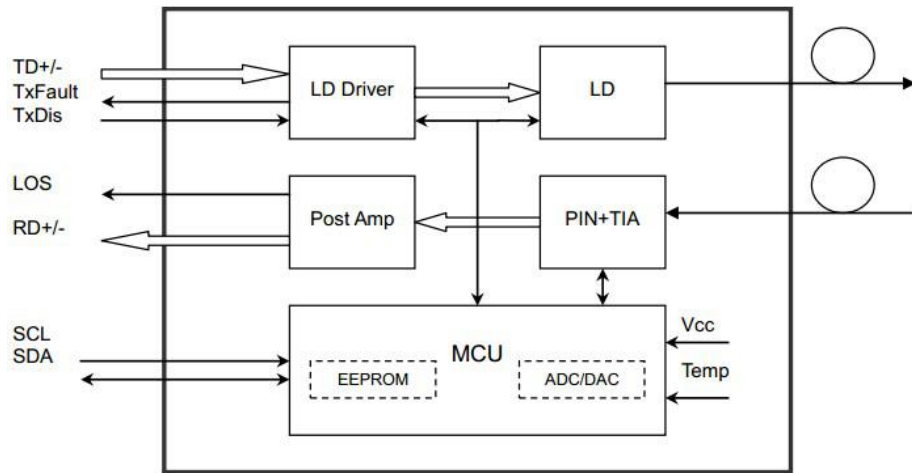
- SMPTE 297-2006 Compatible Electrical-to-Optical Interfaces.
- HDTV/SDTV Service Interfaces.

Description

The video series transceivers are high performance, cost effective modules for duplex video transmission application over single mode fiber.

The transceiver is designed to transmit/receive data rates from 50Mbps to 2.97Gbps and is specifically designed for robust performance in the presence of SDI pathological patterns for SMPTE 259M, SMPTE 344M, SMPTE 292M and SMPTE 424M serial rates. The module is fully compliant with SMPTE 297M-2006.

The transceiver consists of three sections: a DFB laser transmitter, a PIN photodiode integrated with a trans-impedance preamplifier (TIA) and MCU control unit. All modules satisfy class I laser safety requirements. The transceivers are compatible with SFP Multi-Source Agreement (MSA) and SFF-8472. For further information, please refer to SFP MSA.



Absolute Maximum Ratings

Parameter	Symbol	Min	Max	Unit
Supply Voltage	Vcc	-0.5	4.5	V
Storage Temperature	Ts	-40	+85	°C
Operating Humidity	-	5	85	%

Recommended Operating Conditions

Parameter	Symbol	Min	Typical	Max	Unit
Operating Case Temperature	Standard	Tc	0	+70	°C
	Industrial				
Power Supply Voltage	Vcc	3.13	3.3	3.47	V
Power Supply Current	Icc			500	mA
Data Rate			3		Gbps

Optical and Electrical Characteristics

Parameter	Symbol	Min	Typical	Max	Unit	Notes
Transmitter						
Centre Wavelength	λ_c	1480	1550	1580	nm	
Spectral Width(-20dB)	σ			1	nm	
Side Mode Suppression Ratio	SMSR	30			dB	
Average Output power	Pout	-2	0	+3	dBm	
Extinction Ratio	ER	5	8		dB	
Rise/Fall Time (20%~80%)	SD-SDI	tr/ta		1500	ps	2
	HD-SDI			270		
	3G-SDI			135		
Total Output Jitter	PRBS and color bar	SD-SDI		70	200	ps
		HD-SDI		50	135	
		3G-SDI		70	100	



	Pathological	SD-SDI			200	300		
		HD-SDI			115			
		3G-SDI			120			
Data Input Swing Differential			V_{IN}	400		1800	mV	3
Input Differential Impedance			Z_{IN}	90	100	110	Ω	
TX Disable	Disable			2.0		V_{cc}	V	
	Enable			0		0.8	V	
TX Fault	Fault			2.0		V_{cc}	V	
	Normal			0		0.8	V	
Receiver								
Centre Wavelength			λ_c	1260		1580	nm	
Receiver Sensitivity (PRBS)	SD-SDI					-25	dBm	
	HD-SDI					-23	dBm	
	3G-SDI					-22	dBm	
Receiver Sensitivity (Pathological)	SD-SDI					-25	dBm	
	HD-SDI					-23	dBm	
	3G-SDI					-22	dBm	
Receiver Overload				0			dBm	4
LOS De-Assert			LOS_D			-22	dBm	
LOS Assert			LOS_A	-29			dBm	
LOS Hysteresis				1		4	dB	
Data Output Swing Differential			V_{out}	650	800	1000	mV	3
LOS			High	2.0		V_{cc}	V	
			Low			0.8	V	

Notes:

1. The optical power is launched into SMF.
2. Rise and fall times, 20% to 80%, are measured following a fourth-order Bessel-Thompson filter with a bandwidth of $0.75 \times$ lock frequency corresponding to the serial data rate
3. PECL input, internally AC-coupled and terminated.
4. Internally AC-coupled

Timing and Electrical

Parameter	Symbol	Min	Typical	Max	Unit
TX Disable Negate Time	t_{on}			1	ms
TX Disable Assert Time	t_{off}			10	μs
Time To Initialize, including Reset of TX Fault	t_{init}			300	ms
TX Fault Assert Time	t_{fault}			100	μs
TX Disable To Reset	t_{reset}	10			μs

LOS Assert Time	t_loss_on			100	μs
LOS De-assert Time	t_loss_off			100	μs
Serial ID Clock Rate	f_serial_clock			400	KHz
MOD_DEF (0:2)-High	VH	2		Vcc	V
MOD_DEF (0:2)-Low	VL			0.8	V

Diagnostics Specification

Parameter	Range	Unit	Accuracy	Calibration
Temperature	0 to +70	°C	±3°C	Internal / External
	-40 to +85			
Voltage	3.0 to 3.6	V	±3%	Internal / External
Bias Current	0 to 100	mA	±10%	Internal / External
TX Power	-2 to 3	dBm	±3dB	Internal / External
RX Power	-25 to 0	dBm	±3dB	Internal / External

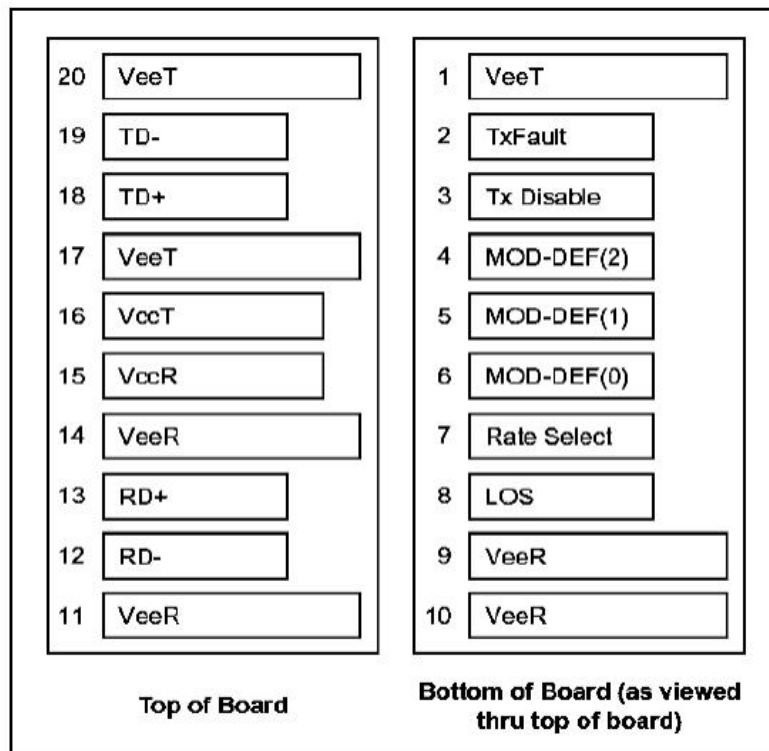
I2C Bus Interface

The I2C bus interface uses the 2-wire serial CMOS E2PROM protocol. The serial interface meets the following specifications:

- Support a maximum clock rate of 280 KHz.
- Input/output levels comply with LVCMOS/LVTTL or compatible logics.
 Low: 0 – 0.8 V High: 2.0 – 3.3 V Undefined: 0.8 – 2.0 V

Pin Definitions

Pin Diagram



Pin Descriptions

Pin	Signal Name	Description	Plug Seq.	Notes
1	V _{EET}	Transmitter Ground	1	
2	TX FAULT	Transmitter Fault Indication	3	Note 1
3	TX DISABLE	Transmitter Disable	3	Note 2
4	MOD_DEF(2)	SDA Serial Data Signal	3	Note 3
5	MOD_DEF(1)	SCL Serial Clock Signal	3	Note 3
6	MOD_DEF(0)	TTL Low	3	Note 3
7	Rate Select	Not Connected	3	
8	LOS	Loss of Signal	3	Note 4
9	V _{EER}	Receiver ground	1	
10	V _{EER}	Receiver ground	1	
11	V _{EER}	Receiver ground	1	
12	RD-	Inv. Received Data Out	3	Note 5
13	RD+	Received Data Out	3	Note 5
14	V _{EER}	Receiver ground	1	
15	V _{CCR}	Receiver Power Supply	2	
16	V _{CCT}	Transmitter Power Supply	2	
17	V _{EET}	Transmitter Ground	1	
18	TD+	Transmit Data In	3	Note 6
19	TD-	Inv. Transmit Data In	3	Note 6
20	V _{EET}	Transmitter Ground	1	

Notes:

Plug Seq.: Pin engagement sequence during hot plugging.

1) TX Fault is an open collector output, which should be pulled up with a 4.7k~10kΩ resistor on the host board to a voltage between 2.0V and V_{cc}+0.3V. Logic 0 indicates normal operation; Logic 1 indicates a laser fault of some kind. In the low state, the output will be pulled to less than 0.8V.

2) TX Disable is an input that is used to shut down the transmitter optical output. It is pulled up within the module with a 4.7k~10kΩ resistor. Its states are:

Low (0 to 0.8V): Transmitter on

(>0.8V, < 2.0V): Undefined

High (2.0 to 3.465V): Transmitter Disabled

Open: Transmitter Disabled

3) Mod-Def. 0, 1, 2. These are the module definition pins. They should be pulled up with a 4.7k~10kΩ resistor on the host board.

The pull-up voltage shall be V_{ccT} or V_{ccR}.

Mod-Def. 0 is grounded by the module to indicate that the module is present

Mod-Def. 1 is the clock line of two wire serial interface for serial ID

Mod-Def. 2 is the data line of two wire serial interface for serial ID

4) LOS is an open collector output, which should be pulled up with a 4.7k~10kΩ resistor. Pull up voltage between 2.0V and V_{cc}+0.3V. Logic 1 indicates loss of signal; Logic 0 indicates normal operation. In the low state, the output will be pulled to less than 0.8V.

5) RD-/+ : These are the differential receiver outputs. They are internally AC-coupled 100 differential lines which should be terminated with 100Ω (differential) at the user SERDES.

6) TD-/+: These are the differential transmitter inputs. They are internally AC-coupled, differential lines with 100Ω differential termination inside the module.

Serial ID Field Memory Map

The module serial Id and calibration information is stored in the E2PROM of the SFP supervising device using the address map.

Byte Adder	Bit Size	Name	Description	Value (hex)
0	1	Identifier	Type of transceiver	82
1	1	Ext. Identifier	Extended identifier of type of transceiver	04
2	1	Connector	Code for connector type	07
3	1	Standards Compliance	For SMPTE259M/344M/292M/424M and SMPTE297M	41
4~10	7	Transceiver	Code for electronic or optical compatibility, Not applicable.	
11	1	Encoding	Code for serial encoding algorithm	30
12	1	BR, Nominal	Nominal signaling rate, units of 100MBd.	1E
13	1	Rate Identifier	Type of rate select functionality, Not applicable	
14	1	Length(SMF, km)	Link length supported for single mode fiber, units of km	14
15	1	Length (SMF)	Link length supported for single mode fiber, units of 100 m	00
16	1	Length (50um)	Link length supported for 50 um OM2 fiber, units of 10 m	00
17	1	Length (62.5um)	Link length supported for 62.5 um OM1 fiber, units of 10 m	00
18	1	Length (cable)	Link length supported for copper or direct attach cable, units of m	00
19	1	Length (OM3)	Link length supported for 50 um OM3 fiber, units of 10 m	00
20~35	16	Vendor name	SFP vendor name (ASCII)	X
36	1	Reserved	Reserved	00
37~39	3	Vendor OUI	SFP vendor IEEE company ID	
40~55	16	Vendor PN	Part number provided by SFP vendor (ASCII)	X
56~59	4	Vendor rev	Revision level for part number provided by vendor (ASCII)	X
60	2	Wavelength	Laser wavelength (Passive/Active Cable Specification Compliance)	
61				
62	1	Unallocated		
63	1	CC_BASE	Check code for Base ID Fields	
64	2	Options	Indicates which optional transceiver signals	

65			are implemented	
66	1	BR, max	Upper bit rate margin, units of%	05
67	1	BR, min	Lower bit rate margin, units of%	5F
68~84	16	Vendor SN	Serial number provided by vendor (ASCII)	X
85~91	8	Date code	Vendor's manufacturing date code	
92	1	Diagnostic Monitoring Type	Indicates which type of diagnostic monitoring is implemented(if any) in the transceiver	28
93	1	Enhanced Options	Indicates which optional enhanced features are implemented(if any) in the transceiver	90
94	1	SFF-8472 Compliance	Indicates which revision of SFF-8472 the transceiver complies with.	X
95	1	CC_EXT	Check code for the Extended ID Fields	
96~127	32	Vendor Specific	Vendor Specific EEPROM	0

Digital Diagnostic Monitoring Interface (2-Wire Address A2H)

Byte Addr	Bit Size	Name	Description and Value of the Field
00-01	2	Temp High Alarm	MSB at lower address. 100°C
02-03	2	Temp Low Alarm	MSB at lower address. -50°C
04-05	2	Temp High Warning	MSB at lower address. 95°C
06-07	2	Temp Low Warning	MSB at lower address. -45°C
08-09	2	Voltage High Alarm	MSB at lower address. 3.7V
10-11	2	Voltage Low Alarm	MSB at lower address. 2.9V
12-13	2	Voltage High Warning	MSB at lower address. 3.6V
14-15	2	Voltage Low Warning	MSB at lower address. 3.0V
16-17	2	Bias High Alarm	MSB at lower address. 70mA
18-19	2	Bias Low Alarm	MSB at lower address. 8mA
20-21	2	Bias High Warning	MSB at lower address. 65mA
22-23	2	Bias Low Warning	MSB at lower address. 9mA
24-25	2	TX Power High Alarm	MSB at lower address. 4dBm
26-27	2	TX Power Low Alarm	MSB at lower address. -6dBm
28-29	2	TX Power High Warning	MSB at lower address. 3dBm
30-31	2	TX Power Low Warning	MSB at lower address. -5dBm
32-33	2	RX Power High Alarm	MSB at lower address. 1dBm
34-35	2	RX Power Low Alarm	MSB at lower address. -25dBm
36-37	2	RX Power High Warning	MSB at lower address. 0dBm
38-39	2	RX Power Low Warning	MSB at lower address. -24dBm
40-55	16	Reserved	Reserved



56-59	4	RX_PWR (4)	Set to zero for “internally calibrated” devices, Values 00 00 00 00.
60-63	4	RX_PWR (3)	Set to zero for “internally calibrated” devices. Values 00 00 00 00.
64-67	4	RX_PWR (2)	Set to zero for “internally calibrated” devices. Values 00 00 00 00.
68-71	4	RX_PWR (1)	Set to 1 for “internally calibrated” devices. Value is3F 80 00 00.
72-75	4	RX_PWR (0)	Set to zero for “internally calibrated” devices. Values 00 00 00 00.
76-77	2	TX_I (Slope)	Set to 1 for “internally calibrated” devices. Value is01 00.
78-79	2	TX_I (Offset)	Set to zero for “internally calibrated” devices. Values 00 00.
80-81	2	TX_PWR (Slope)	Set to 1 for “internally calibrated” devices. Value is01 00.
82-83	2	TX_PWR (Offset)	Set to zero for “internally calibrated” devices. Values 00 00.
84-85	2	T (Slope)	Set to 1 for “internally calibrated” devices. Value is01 00.
86-87	2	T (Offset)	Set to zero for “internally calibrated” devices. Values 00 00.
88-89	2	V (Slope)	Set to 1 for “internally calibrated” devices. Value is01 00.
90-91	2	V (Offset)	Set to zero for “internally calibrated” devices. Values 00 00.
92-94	3	Reserved	Reserved
95	1	Checksum	Checksum of bytes 0 – 94.
96-97	2	Temperature (MSB, LSB)	Internally measured module temperature
98-99	2	Supply Voltage (MSB, LSB)	internally measured supply voltage in module
100-101	2	Bias()(MSB, LSB)	Internally measured module bias
102-103	2	TX Power(MSB, LSB)	Internally measured TX Power Current
104-105	2	Rx Power (MSB, LSB)	Internally Measured Rx Power Current
106-109	4	Reserved	Reserved
110	Bit7	TX Disable State	Digital state of the TX Disable Input Pin.
110	Bit6	Soft TX Disable	Bit 6
110	Bit5-Bit3	Reserved	
110	Bit2	TX Fault	Bit 2
110	Bit1	LOS	Bit 1
110	Bit0	Data_ Ready	Bit 0
111	1	Reserved	Reserved
112	Bit7	Temp High Alarm	Set when internal temperature exceeds high



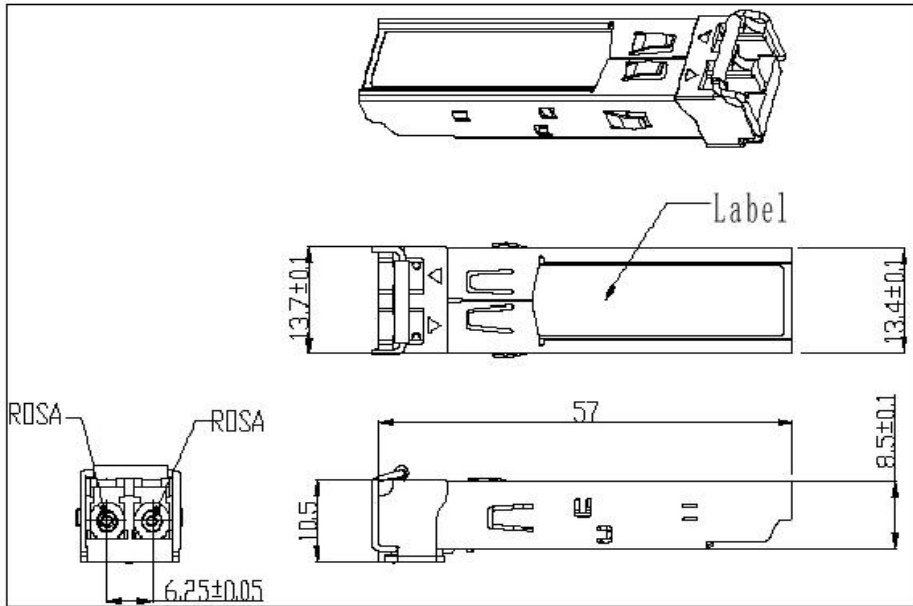


			Alarm level.
112	Bit6	Temp Low Alarm	Set when internal temperature is below low alarm level.
112	Bit5	Vcc High Alarm	Set when internal supply voltage exceeds high Alarm level.
112	Bit4	Vcc Low Alarm	Set when internal supply voltage is below low Alarm level.
112	Bit3	TX Bias High Alarm	Set when TX Bias current exceeds high alarm Level.
112	Bit2	TX Bias Low Alarm	Set when TX Bias current is below low alarm Level.
112	Bit1	TX Power High Alarm	Set when TX output power exceeds high alarm Level.
112	Bit0	TX Power Low Alarm	Set when TX output power is below low alarm Level.
113	Bit7	RX Power High Alarm	Set when Received Power exceeds high alarm Level.
113	Bit6	RX Power Low Alarm	Set when Received Power is below low alarm Level.
113	Bit5-Bit0	Reserved Alarm	Reserved
114-115	Reserved		Reserved
116	Bit7	Temp High Warning	Set when internal temperature exceeds high Warning level.
116	Bit6	Temp Low Warning	Set when internal temperature is below low Warning level.
116	Bit5	Vcc High Warning	Set when internal supply voltage exceeds high Warning level.
116	Bit4	Vcc Low Warning	Set when internal supply voltage is below low Warning level.
116	Bit3	TX Bias High Warning	Set when TX Bias current exceeds high Warning Level.
116	Bit2	TX Bias Low Warning	Set when TX Bias current is below low Warning Level.
116	Bit1	TX Power High Warning	Set when TX output power exceeds high Warning Level.
116	Bit0	TX Power Low Warning	Set when TX output power is below low Warning Level.
117	Bit7	RX Power High Warning	Set when Received Power exceeds high Warning Level.
117	Bit6	RX Power Low Warning	Set when Received Power is below low Warning Level.
117	Bit5-bit0	Reserved Warning	Reserved
118-119	2	Reserved	Reserved
120-127	8	Vendor specific	
128-247	120	User EEPROM	User writable EEPROM



248-255	8	Vendor Specific	Vendor specific control functions
---------	---	-----------------	-----------------------------------

Mechanical Dimensions



Ordering information

Part Number	Product Description
SPT-P55V3-40D	Transceiver SFP 1550nm Video 3G SDI 40km LC Interface with DDM Commercial Temperature

Note: If you need more customized services, please contact us.

E-mail: info@sopto.com.cn

Web : <http://www.sopto.com.cn>